

# LUMENSOURCE

## DIMMABLE DRIVER 100W SERIES

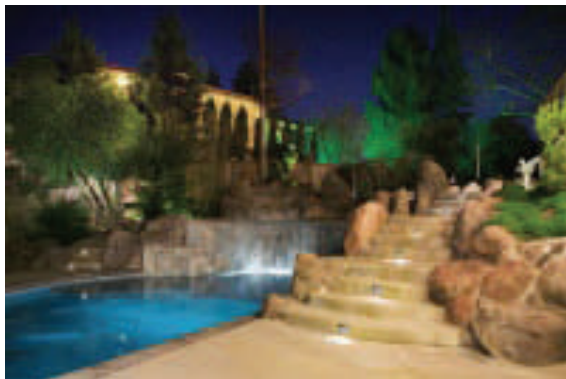
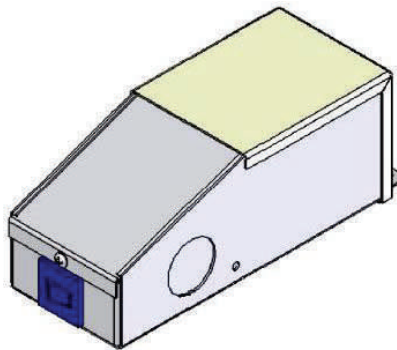
The LED dimmable driver series is used for low voltage 12V DC LED indoor and outdoor installations. The LED driver can be dimmed using any regular 120V AC magnetic wall dimmer. The driver is perfect for powering led modules, neon LED, wall washers, flexible strips and digital strips.

### SPECIFICATIONS

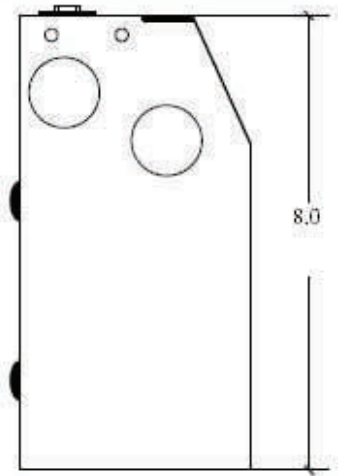
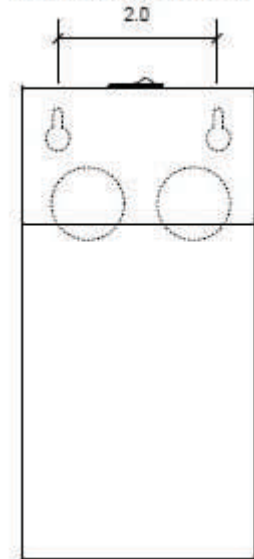
Voltage Input	120V AC (277V AC optional )
Voltage Output	12V DC (24V DC optional)
Dimensions	8"L x 4.25"W x 3.25"H
Certifications	ETL

### ORDERING INFO

- DR12-DM-100



Two keyholes and two additional knockouts on the back



100W Dimensions

