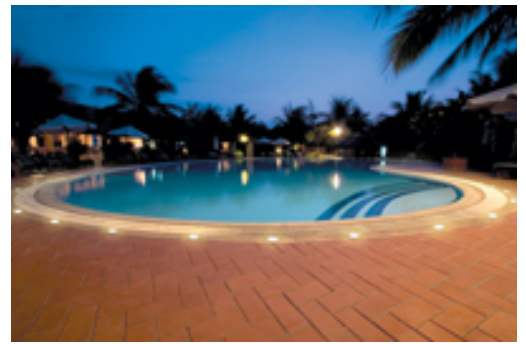


LUMENSOURCE



DRIVER TR 40W SERIES

The LED driver series is used for low voltage 12V DC LED indoor and outdoor installations. The Driver is perfect for powering led modules, neon LED, wall washers, flexible strips and digital strips.

FEATURES

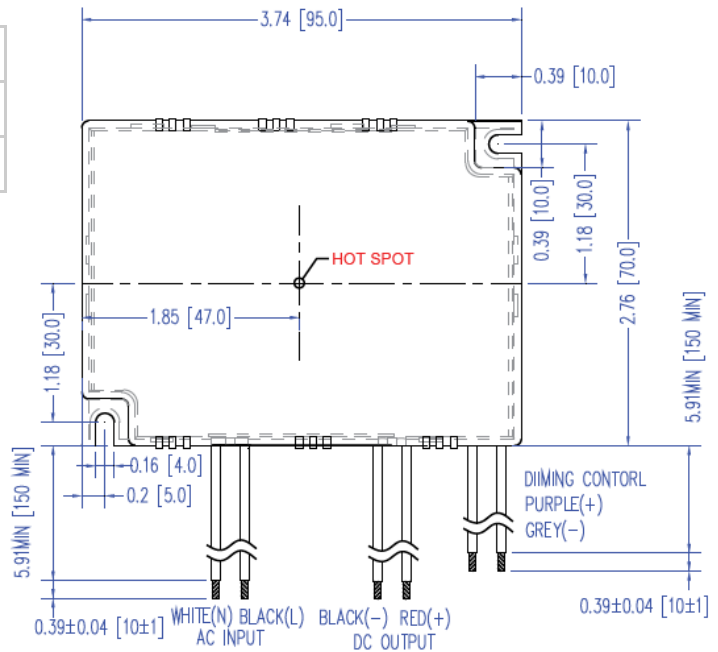
- Constant voltage design
- Universal AC input / Full range
- Epoxy encapsulated with IP65
- Withstands 300V AC surge inputs for 5 seconds
- Protects from short circuit, overload, surges
- Cooling by free convection
- UL1310 power unit, pass LPS



SPECIFICATIONS

Voltage Input	100-277VAC Universal Input
Voltage Output	12VDC
Dimensions	3.75"L x 2.76"W x 1.25"H

Dimensions - Inches (mm)



ORDERING INFO

- DR12-TR40 (12VDC)

