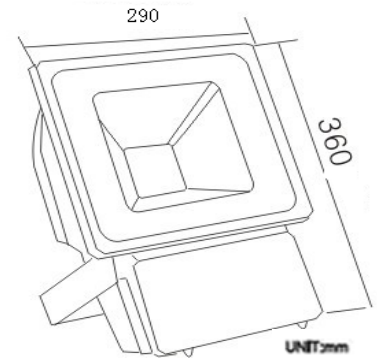


# LUMENSOURCE

## FLOOD LIGHT 100W ECONOMY SERIES

The LED flood light uses only 100W compared to a 300W traditional metal halide light source. The flood light will have mounting bracket that can be screwed to any indoor or outdoor location that requires a high performance, energy saving, and long lasting light output.



### SPECIFICATIONS

Wattage	100W
Voltage	120V AC
Average Lifetime	> 50,000 hrs
Colors	Warm White (3,000K) Cool White (5,000K)
Luminous Flux	9,000 lm
Beam Angle	120 degrees
Dimensions	14.1"L x 11.4"W x 9.65"H
LED	90

### ORDERING INFO

- FEL-100-X
  - C – Cool White
  - W – Warm White

