



LUMENSOURCE

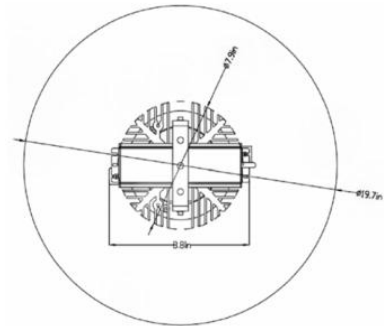
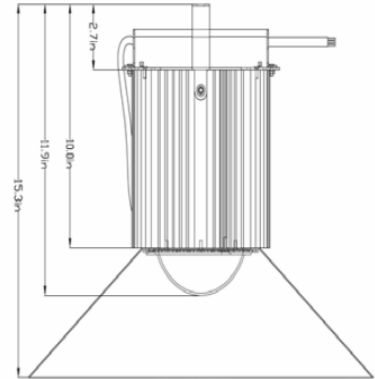


HIGH BAY 100W ECONOMY SERIES

The LED High Bay uses only 100W compared to a 250W traditional metal halide light source. The flood light will have mounting bracket that can be screwed to any indoor or outdoor location that requires a high performance, energy saving, and long lasting light output.

SPECIFICATIONS

Wattage	100W
Voltage	120V AC
Average Lifetime	> 50,000 hrs
Colors	Warm White (3,000K) Cool White (5,000K)
Luminous Flux	8,400 lm (W); 8,600 lm (C)
Beam Angle	120 degrees
Dimensions	19.7"D x 15.3"H
LED	50



ORDERING INFO

- HBE-100-X
 - C – Cool White
 - W – Warm White

