

LUMENSOURCE

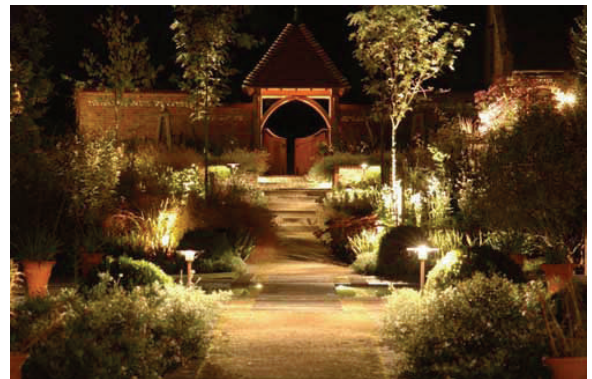
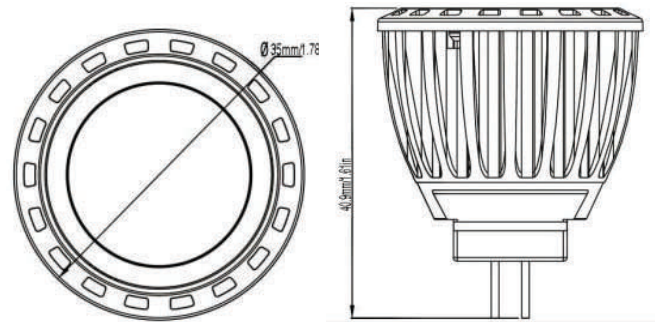


MR11 DS4 SPOT SERIES

The high brightness MR11 bulb uses only 3W compared to a 25W traditional halogen light source. The MR11 base fits into any bi-pin GU4 size fixture socket providing high performance, energy saving, and long lasting light output.

SPECIFICATIONS

| | |
|------------------|--|
| Wattage | 3W |
| Voltage | 12V AC/DC |
| Average Lifetime | > 50,000 hrs |
| Colors | Warm White (3,000K) Cool White (5,000K) |
| Luminous Flux | 200 lm (W); 250 lm (C) |
| Beam Angle | 30 degrees |
| Dimensions | 1.37" dia / 1.61" length |
| Dimmability | Magnetic Low Voltage Dimmer |
| LED | 3 |



ORDERING INFO

MR11-DS4-X
 C – Cool White
 W – Warm White

