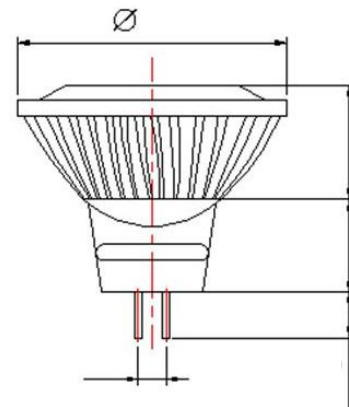


LUMENSOURCE

MR11 SPOT SERIES

The high brightness MR11 bulb uses only 1.5W compared to a 25W traditional halogen light source. The MR11 base fits into any bi-pin GU4 size fixture socket providing high performance, energy saving, and long lasting light output.



SPECIFICATIONS

Wattage	1.5W
Voltage	12V AC/DC
Average Lifetime	> 50,000 hrs
Colors	Warm White (3,000K)
Luminous Flux	60 lm (W); 86 lm (C)
Beam Angle	30 degrees
Dimensions	1.37" dia / 1.4" length
Dimmability	Magnetic Low Voltage Dimmer
LED	1

ORDERING INFO

MR11-CR2-C (Cool White)

