

# LUMENSOURCE

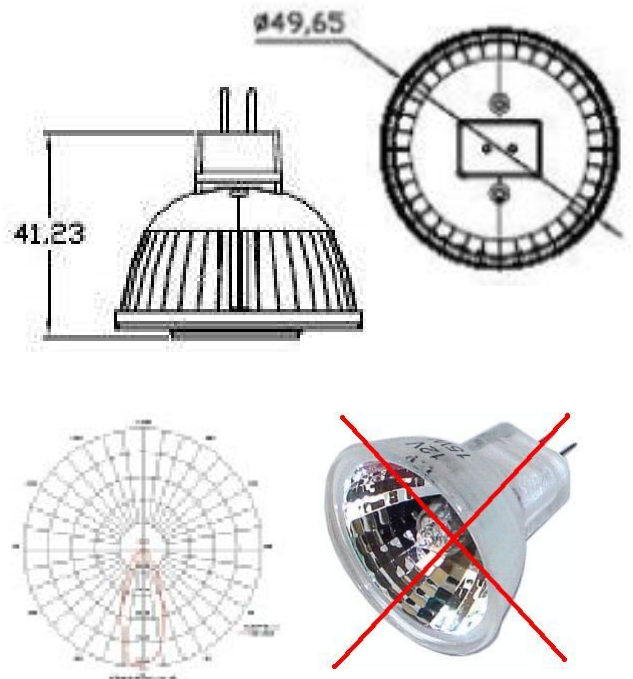


## MR16 LINE VOLTAGE SERIES

The high brightness MR16 bulb uses only 5W compared to a 40W traditional halogen light source. The MR16 base fits into any bi-pin GU4 size fixture socket providing high performance, energy saving, and long lasting light output.

## SPECIFICATIONS

Wattage	5W
Voltage	120V AC
Average Lifetime	> 50,000 hrs
Colors	Warm White (3,000K) Cool White (5,000K)
Luminous Flux	215 lm (W); 250 lm (C)
Beam Angle	38 degrees
Dimensions	1.97" dia / 1.74" length
Dimmability	Incandescent Dimmer
LED	1



## ORDERING INFO

MR16-FG120-X

- C – Cool White
- W – Warm

