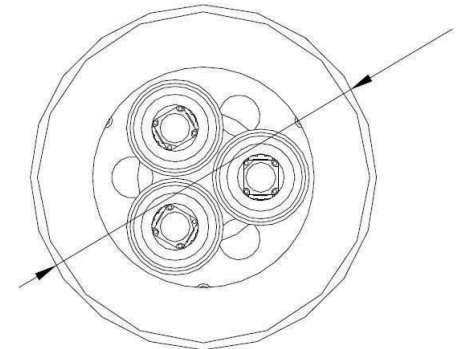
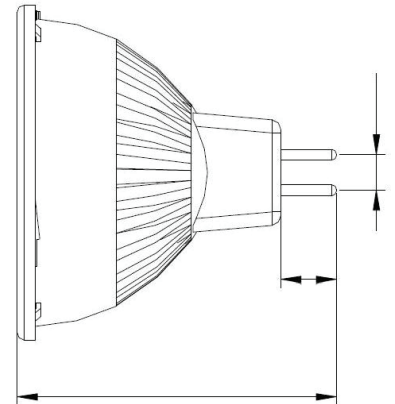




# LUMENSOURCE

## MR16 NC SERIES 5W

The high brightness MR16 NC bulb uses only 5W compared to a 25W traditional halogen light source. The MR16 base fits into any bi-pin GU5.3 size fixture socket providing high performance, energy saving, and long lasting light output.



## SPECIFICATIONS

Wattage	5W
Voltage	12V AC/DC
Average Lifetime	> 50,000 hrs
Colors	Warm White (3,000K) Cool White (5,000K)
Luminous Flux	170 lm (W); 180 lm (C)
Beam Angle	60 degrees
Dimensions	1.97" dia / 1.87" length
Dimmability	Magnetic Low Voltage Dimmer
LED	3x Cree

## ORDERING INFO

- MR16-NC3x1-X
  - C – Cool White
  - W – Warm White
- \*Available in E26 medium base

