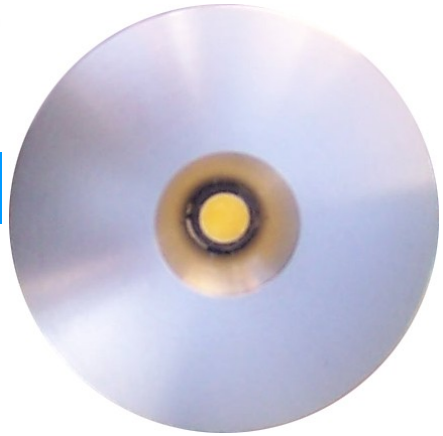


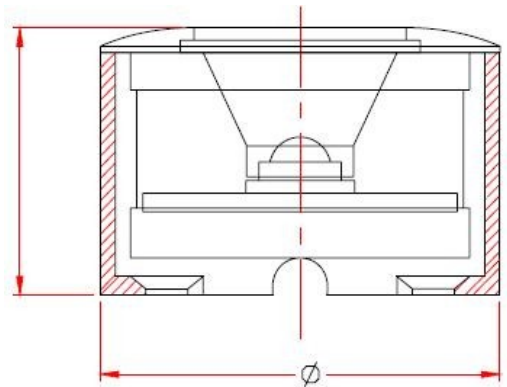


# LUMENSOURCE



## PUCK SERIES 12V DC

The high brightness Puck uses only 3W compared to a 35W halogen light source. The direct screw mount is easily surface installed and modularized for linking multiple puck connections. The twist and lock housing, with a brushed aluminum finish provides high performance, energy saving, and long lasting light output.



## SPECIFICATIONS

|                  |  |
|------------------|--|
| Wattage          | 3W   |
| Voltage          | 12V DC                                     |
| Average Lifetime | > 50,000 hrs                               |
| Colors           | Warm White (3,000K)<br>Cool White (5,000K) |
| Luminous Flux    | 75 lm (W); 85 lm (C)                       |
| Beam Angle       | 60 degrees                                 |
| Dimensions       | 1.3" dia / 0.85" depth                     |
| Dimmability      | Magnetic Low Voltage Dimmer                |
| LED              | 1  |

## ORDERING INFO

- PQ3-60-X
  - C – Cool White
  - W – Warm White

- \*LED driver sold separately

