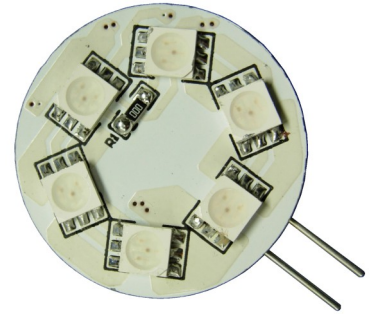


# LUMENSOURCE

## WAFER 6 MC SERIES

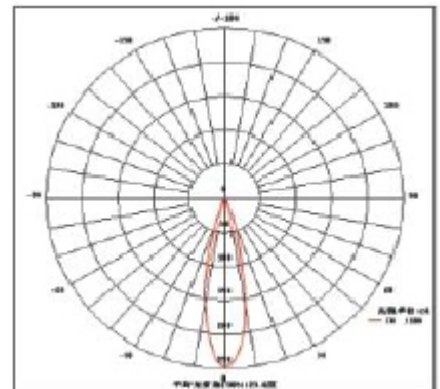
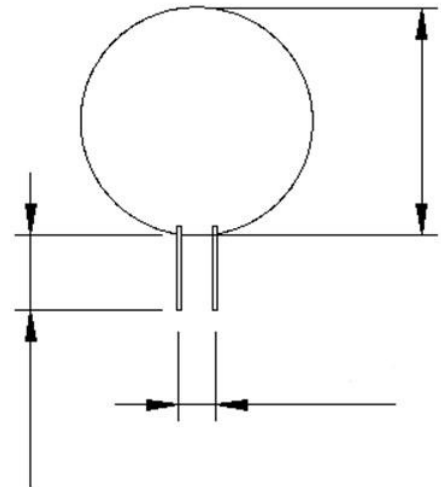
The high brightness Wafer uses only 1.5W compared to a 25W traditional halogen light source. The bi-pin fits into any G4 size fixture socket providing high performance, energy saving, and long lasting light output. Color changing cycles through 7 colors every 8 seconds.



Side Pin mounting Wafer

## SPECIFICATIONS

Wattage	1.5W
Voltage	12V AC/DC
Average Lifetime	> 50,000 hrs
Colors	16, RGB mixture
Luminous Flux	110 lm (RGB)
Beam Angle	180 degrees
Dimensions	1.25" dia / 0.4" length
Dimmability	Automatic
LED	6



## ORDERING

- Side pin  
WF-6S-MC

