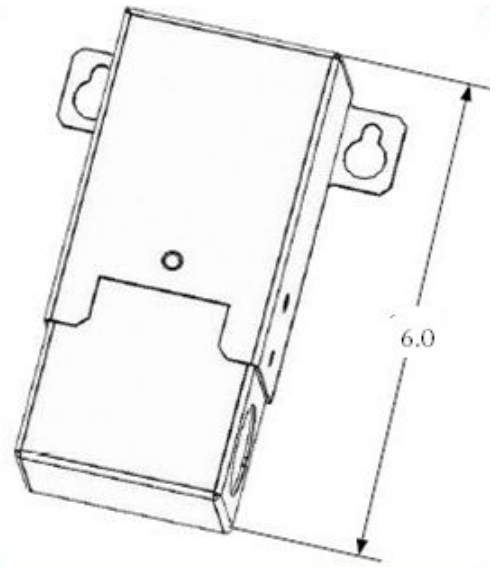




LUMENSOURCE

DIMMABLE DRIVER 40W SERIES

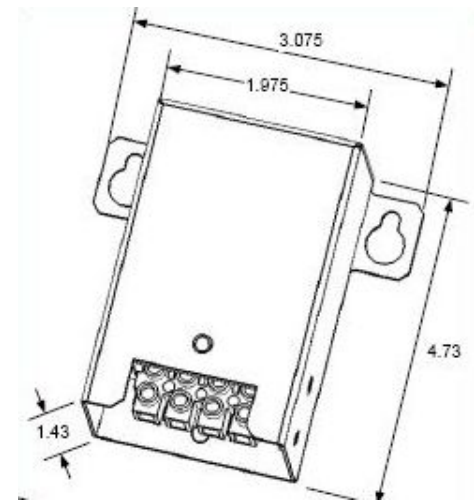
The LED dimmable driver series is used for low voltage 12V DC LED indoor and outdoor installations. The LED driver can be dimmed using any regular 120V AC magnetic wall dimmer. The driver is perfect for powering led modules, neon LED, wall washers, flexible strips and digital strips.



40W Dimensions

SPECIFICATIONS

Voltage Input	120V AC (277V AC optional)
Voltage Output	12V DC (24V DC optional)
15/40W Dimensions	5.03"L x 2.14"W x 2"H
60/100W Dimensions	6.0"L x 2.0"W x 1.50"H
Certifications	ETL



ORDERING INFO

- DR12-DM-40

