

LUMENSOURCE



ELECTRONIC DIMMABLE DRIVER SERIES

The LED driver series is used for low voltage 12V AC LED indoor and outdoor installations. The Driver is perfect for powering MR16, G4, Bayonets and track lights.

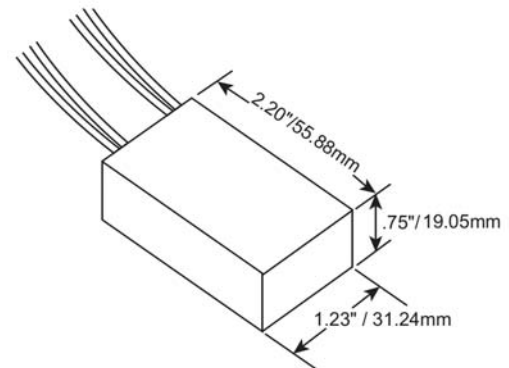
FEATURES

- Constant voltage design
- Power factor 0.9
- Input frequency 50/60Hz
- UL Class 2 circuit protection
- Compatible with Electronic low voltage dimmer
- Full range dimming
- No minimum load
- UL1310 Complaint
- Low humidity / No condensation



SPECIFICATIONS

Voltage Input	120VAC Input
Voltage Output	12VAC
Dimensions	2.2"L x 1.23"W x 0.75"H



ORDERING INFO

- DR12-HT60 (12VAC)

