

LUMENSOURCE

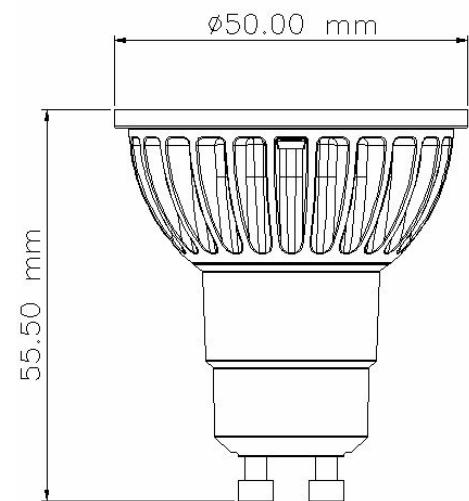
GU10 SD SERIES (DIMMABLE)



The dimmable GU10 bulb uses only 4.5W compared to a 40W traditional halogen light source. The loop base fits into any GU10 size fixture socket providing high performance, energy saving, and long lasting light output.

SPECIFICATIONS

| | |
|------------------|--|
| Wattage | 4.5W |
| Voltage | 120V AC |
| Average Lifetime | > 50,000 hrs |
| Colors | Warm White (3,000K) Cool White (5,000K) |
| Luminous Flux | 250 lm (W); 275 lm (C) |
| Beam Angle | 30 degrees |
| Dimensions | 1.96" dia / 2.16" length |
| Dimmability | Incandescent Dimmer |
| LED | 3 |



ORDERING INFO

GU10-SD5-X

- C – Cool White
- W – Warm White

