



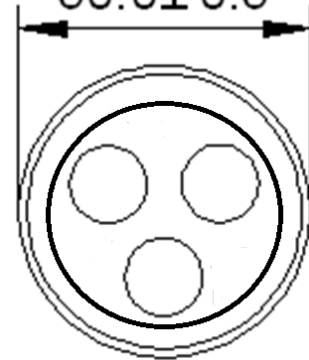
LUMENSOURCE



MR16 EP SERIES 7W

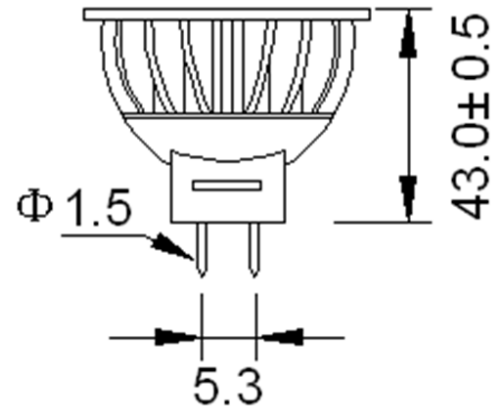
The high brightness MR16 EP bulb uses only 7W compared to a 50W traditional halogen light source. The MR16 base fits into any bi-pin GU5.3 size fixture socket providing high performance, energy saving, and long lasting light output.

50.0±0.5



SPECIFICATIONS

Wattage	7W
Voltage	12V AC/DC
Average Lifetime	> 50,000 hrs
Colors	Warm White (3,000K) Cool White (5,000K)
Luminous Flux	380 lm (WW); 420lm (CW)
Beam Angle	30 degrees
Dimensions	1.97" dia / 1.70" length
Dimmability	Magnetic Low Voltage Dimmer
LED	3



ORDERING INFO

- MR16-EP7-X
 - C – Cool White
 - W – Warm White
- *Available in E26 medium and GU10 base

