

LUMENSOURCE

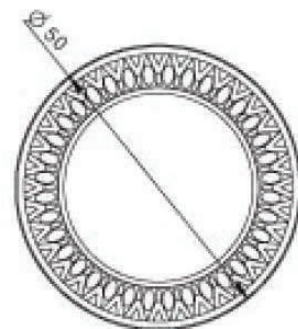
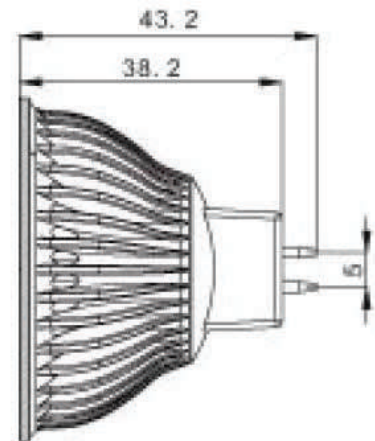
MR16 ES SERIES 5W



The high brightness MR16 ES bulb uses only 5W compared to a 35W traditional halogen light source. The MR16 base fits into any bi-pin GU5.3 size fixture socket providing high performance, energy saving, and long lasting light output.

SPECIFICATIONS

Wattage	5W
Voltage	12V AC/DC
Average Lifetime	> 25,000 hrs
Colors	Warm White 2700K
Luminous Flux	350lm
Beam Angle	25 degrees
Dimensions	2" dia / 1.75" length
Dimmability	Magnetic Low Voltage Dimmer



ORDERING INFO

- MR16-ES5-X
 - C – Cool White
 - W – Warm

