



LUMENSOURCE

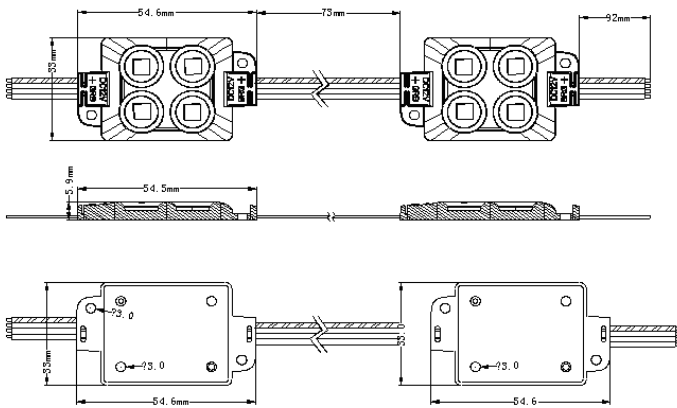
MODULE RGB SERIES

The high brightness Module LED can be used for back lighting channels on signages and exit signs or for replacing neon lighting. The modules can be easily screwed or adhered on to channel surfaces without the need for tedious labor work on installation. Modules are rigid and virtually maintenance free providing high performance, energy saving, and long lasting light output.



SPECIFICATIONS

Wattage	0.5W
Voltage	12V DC
Average Lifetime	> 20,000 hrs
Colors	RGB
Beam Angle	120 degrees
Dimensions	2.75"L x 0.75"W x 0.25"H
LED	4



Back Lighting Applications



Halo Applications



Lettering Applications

ORDERING INFO

- CM-IPS4-RGB

