

LUMENSOURCE

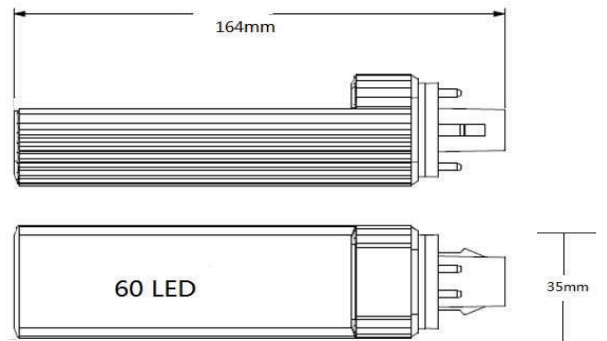
PL12 G23 SINGLE FACE SERIES

The high brightness PL series comes in a 12W versions and can be compared to a 26W traditional plug-in fluorescent. The pin base fits into any G24 size fixture socket. It's integration with the aluminum backed heat sink provides high performance, energy saving, and long lasting light output.



SPECIFICATIONS

Wattage	12W
Voltage	120V - 277VAC
Average Lifetime	> 40,000 hrs
Colors	Warm White (2,700K) Cool White (6,000K)
Efficacy	1,000 lm (W); 1,100 lm (C)
Beam Angle	140 degrees
Dimensions	1.38" D / 6.46" L
LED	70



ORDERING INFO

2-pin Series

- PL12-2G23-S70-X

— C – Cool White
— W – Warm White

