



LUMENSOURCE



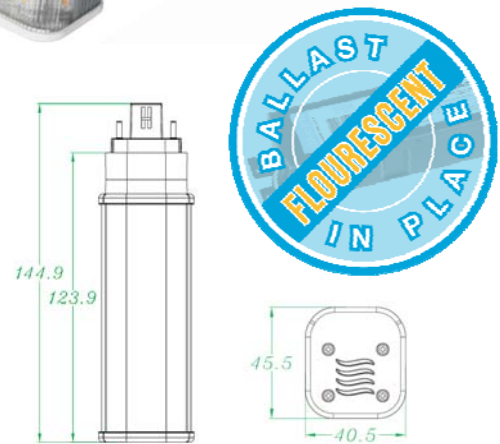
PL BIP9 SERIES

The high brightness PL9 BIP bulb uses only 9W compared to a 18W traditional fluorescent light source. The 2-pin (GX24d) or 4-pin (GX24q) base fits into G24 size fixture socket. The body can be rotated and installed without removing the original fluorescent ballast. It's integration with the aluminum backed heat sink provides high performance, energy saving, and long lasting light output.



SPECIFICATIONS

| | |
|------------------------------------|--|
| Wattage | 9W |
| Voltage | 120-277VAC |
| Average Lifetime | > 30,000 hrs |
| Colors | Warm White 3000K Cool White 5000K |
| Luminous Flux | 855 lm (W); 873 lm (C) |
| Beam Angle | 270 degrees |
| Dimensions | 1.8" dia / 5.75" length |
| Direct Fluorescent Ballast Plug-in | Electronics and Inductive (See list of ballast compatibility) |



ORDERING

2-pin Series

- PL9-2BIP-X

— C – Cool White
— W – Warm White

4-pin Series

- PL9-4BIP-X

— C – Cool White
— W – Warm White



5 YEAR WARRANTY

